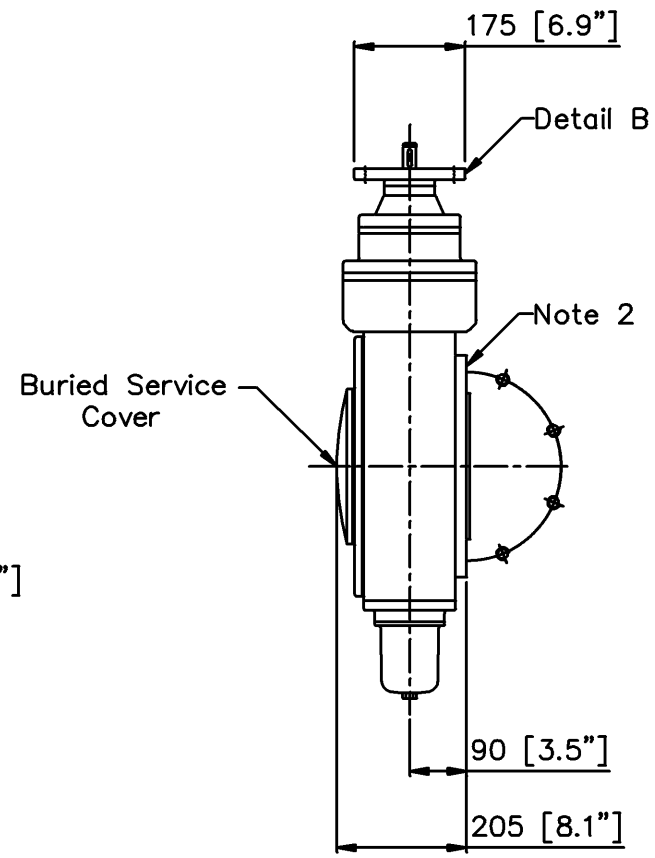
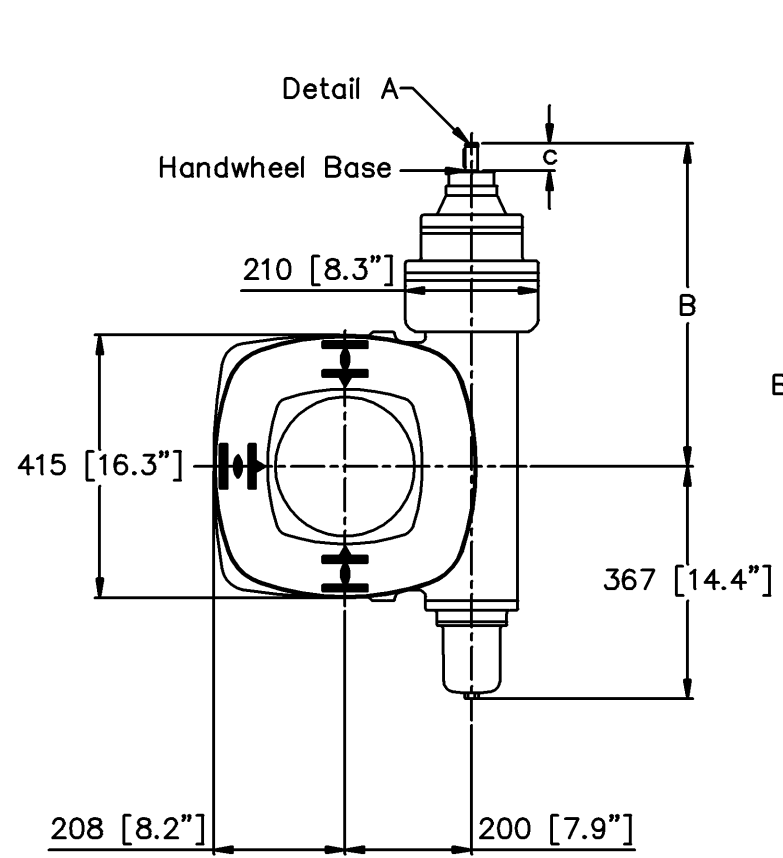
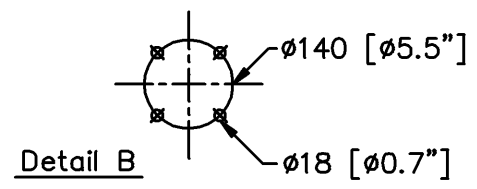
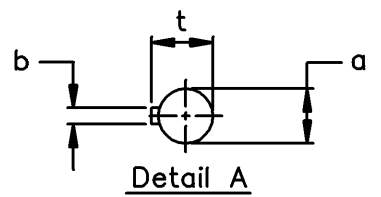


RATIO	a	b	c	t	B
8:1/16:1	20 [.787"]	6 [.236"]	43 [1.69"]	22.5 [.885"]	465 [18.3"] / 510 [20.1"]
4:1	30 [1.181"]	8 [.314"]	60 [2.36"]	33 [1.3"]	485 [19.1"]



Notes:

1. Metric tolerance per ISO 2768-m. Dimensions in brackets [ ] are in inches and rounded to one decimal place.
2. See appropriate mounting flange drawing.
3. See drawing S0700423 when using a handwheel.
4. Consult factory for more detailed dimensionals.
5. Gearbox dimensions will not exceed drawing dimensions.

<b>auma</b> ACTUATORS INC.	GS200.3 / GZ200.3 BURIED SERVICE COVER (STYLE RR-RL)		FIRST ISSUE	CW	05/14/08	05/14/08	0
	DESCRIPTION	BY/ DATE	APP/ DATE	REV	REF. No.	DRG. No.	
					03.1943		SD111581